



Badger Meter Europa

FLANGED ORION CONTROL VALVE

Data Sheet
OR910

USA-Type 9200

DESCRIPTION

- Control valve in sizes 1", 1,5" and 2".
- Globe cast body.
- Maximum allowable pressure 50 bar.
- Suitable for control of medium flow.
- Flanges welded to the body.
- Bonnet bolted with 4 screws.

APPLICATIONS

Suitable for control of liquids, gases or steam, in industrial applications. For any kind of precise control.

PRESSURE-TEMPERATURE RATING

	150#	300#	PN16	PN40
Temperature (°C)	Pressure (bar)	Pressure (bar)	Pressure (bar)	Pressure (bar)
20	19	50	16	40
100	16	42	14	37
200	13	36	13	33
300	10	32	12	29
400	6	29	11	28
500	2	26	10	27

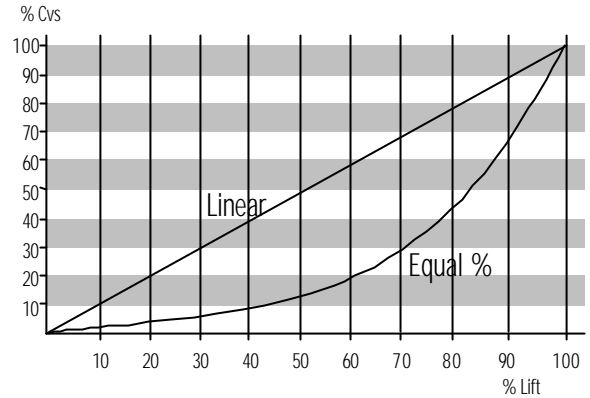
Notes

- * Below -29°C and above +260°C use optional 316 SS bonnet studs.
- * Maximum temperature for PTFE-Packing is 232°C
- * Consider Grafoil packing or extended bonnet above 232°C
- * Consider Stellite above 316°C

VALVE MATERIALS

Body	Bonnet
316 SS (~ 1.4581) casting	316 SS (~ 1.4571) barstock
Alloy C (~ 2.4610)	Alloy C 276 (~ 2.4610)

INNERVALVE CHARACTERISTIC

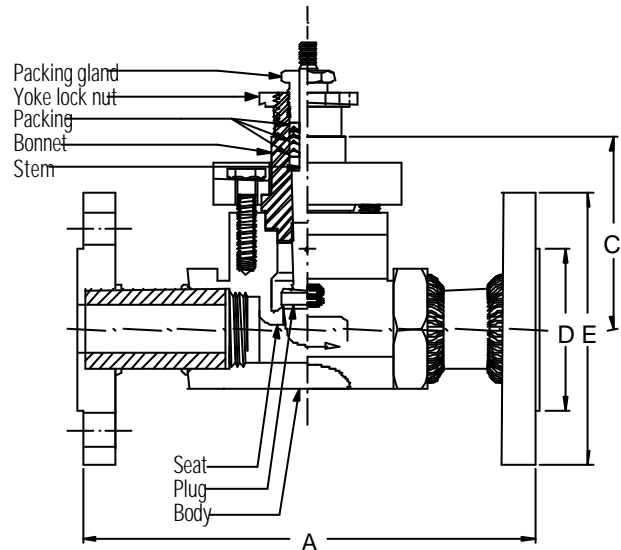


SEAT LEAKAGE

0.01% of Cvs

ANSI Class IV

DIMENSIONS



(for dimensions, see overleaf)

INNERVALVE MATERIALS

Plug	Seat
316 SS (~ 1.4571) barstock	316 SS (~ 1.4571) barstock
Alloy C 276 (~ 2.4610)	Alloy C 276 (~ 2.4610)
316 SS (~ 1.4571) stellited	316 SS (~ 1.4571) stellited

Gasket: Grafoil

Packing: PTFE- CV-rings, REK, Graphite

OPTIONS

PTFE PFA soft seating

Seat leakage Class 5 or 6

Double packing

Double packing with Purge Port

Positioners, i/p-converters, filter regulators, limit switches, solenoid valves, gauges.

INNERVALVE CHART

Maximum allowable pressure drop
(bar)

Valve size	Port dia. (mm)	Port area (cm ²)	Cvs (linear)	Cvs (= %)	Shut Off ? p	Operation ? p
2"	38,1	11,4	25	20	20	10
2"	28,6	6,44	21	17	38	19
2"	20,6	3,35	17	15	50	37
2"	15,9	2	8,5	8,5	50	41
1,5"	28,6	6,44	15	14	31	15,5
1,5"	20,6	3,35	11	10	50	37
1,5"	15,9	2	7	6,5	50	41
1,5"	15,9	2	4	4,0	50	41
1"	20,6	3,35	8,3	7,0	50	37
1"	12,7	1,29	5,3	4,5	50	45,5
1"	12,7	1,29	2,0	2,0	50	45,5
1"	12,7	1,29	1,0	1,0	50	45,5
1"	3,96	0,13	0,5	0,5	50	50
1"	3,96	0,13	0,2	0,2	50	50
1"	3,96	0,13	0,1	0,1	50	50
1"	3,96	0,13	0,05	0,05	50	50
1"	3,96	0,13	0,02	-	50	50

Integral seat

Rangeability: Linear 50:1, Equal percent: 60:1

DN / PN	A	B	C	D	E	F
2" x 150#	254	76,2	92	152,4	28,7	19,02
2" x 300#	266,7	82,55	92	165,1	28,7	19,02
50 / 16	230	82,5	92	165	28,7	19,02
50 / 40	230	82,5	92	165	28,7	19,02
1,5" x 150#	222,25	63,5	88	127	28,7	19,02
1,5" x 300#	234,95	77,7	88	155,4	28,7	19,02
40 / 16	200	75	88	150	28,7	19,02
40 / 40	200	75	88	150	28,7	19,02
1" x 150#	184,15	54	82	108	28,7	19,02
1" x 300#	196,85	61,95	82	123,9	28,7	19,02
25 / 16	160	57,5	82	115	28,7	19,02
25 / 40	160	57,5	82	115	28,7	19,02

08.01 OR910E.DOC

Badger Meter Europa GmbH - Karlstrasse 11 - 72660 Beuren (Germany)

Tel. +49-7025-9208-0

Fax +49-7025-9208-15