



Badger Meter Europa

EXTERNAL DISTANCE CONVERTER 1/4" - 1" mounting kit

Data Sheet
AC-ED

DESCRIPTION

The external distance converter allows you to mount the positioner separately from the control valve.

Range of applications:

- ?? Control valve inaccessible – changes in the positioner set-up not possible, positioner display not readable.
- ?? High surrounding temperature – for corresponding applications a separate mounting is recommended.
- ?? Space problems – Due to the compact construction, a separate mounting is recommended.
- ?? Position feedback – to determine the actual valve stroke for remote control or remote monitoring.

FUNCTION

The valve stroke will be determined by a potentiometer, an arc of 45° corresponds to 5 kOhm.

TECHNICAL DATA

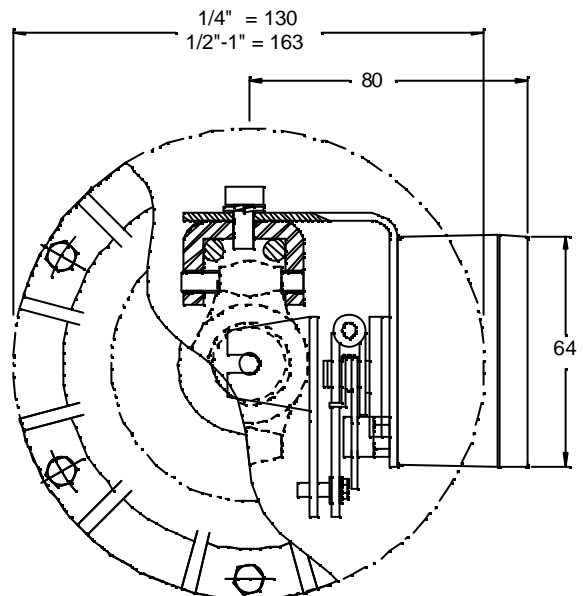
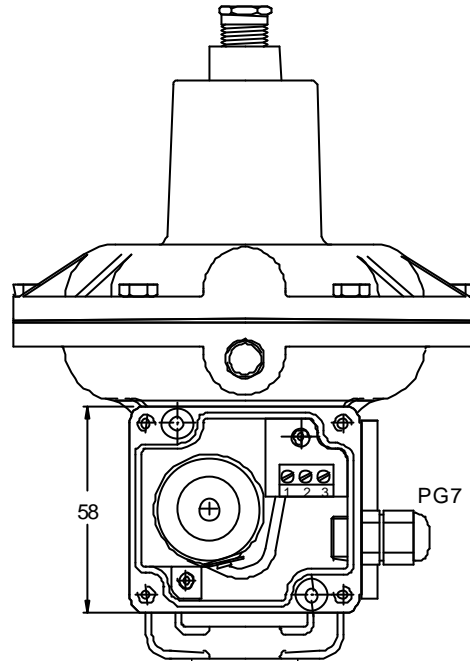
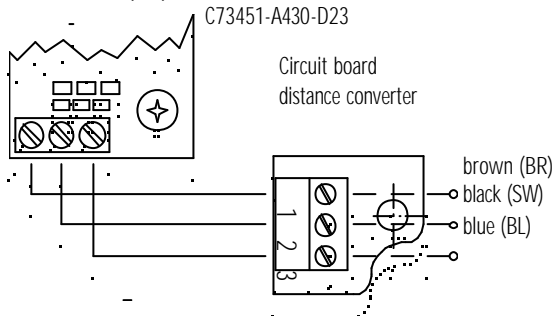
Potentiometer: Type GL60 45° = 5kOhm

- Linearity ?1,5%
- Recommended wiper current <0,1?A
- Life expectancy 5.000.000 cycles
- Bearing Deep groove ball bearing
- Power rating P 0.5W / 40°C
- Temperature -25°C to 75°C

Housing: ROSE EMV-design

- Material Aluminium
- Protection class IP65

Supply: Positioner Siemens Type Sipart PS2,
ABB Hartmann&Braun Type TZID-C
(in preparation) PS2 filter board
C73451-A430-D23



08.01 AC-ED-E-doc