



Badger Meter Europa

Cryogenic control valve RC260 USA-Type 884

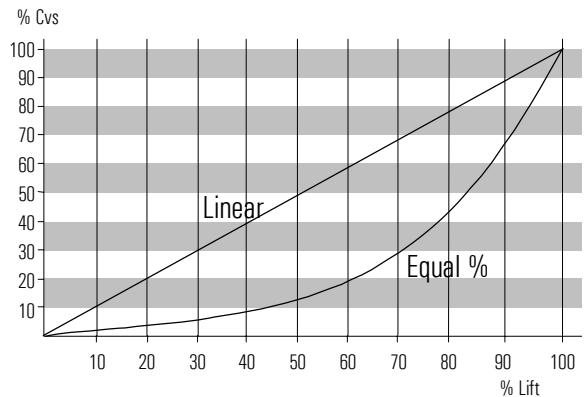
DESCRIPTION

- Control valve in sizes 1", 3/4", 1/2" and 1/4".
- Globe cast body.
- Maximum allowable pressure 172 bar.
- Suitable for control of medium and low flow.
- Many variations not listed here.

APPLICATIONS

Suitable for control of liquids, gases or steam, in industrial applications, research, and process pilot plants. Specifically for control of media at $T \leq -50 \text{ }^\circ\text{C}$.

INNERVALVE CHARACTERISTIC



INNERVALVE CHART

NW	Size	Cvs	NW	Size	Cvs
	V	6,0		O	0,003
	U	5,0		P1	2,0 E-03
	T	4,5		P2	1,3 E-03
	S	4,0		P3	1,0 E-03
	R	3,5		P4	6,0 E-04
	A	2,5		P5	4,0 E-04
	B	2,0		P6	2,7 E-04
	C	1,25		P7	1,8 E-04
	D	0,80		P8	1,2 E-04
	E	0,50		P9	8,0 E-05
	F	0,32		P10	5,0 E-05
	G	0,20		P11	3,6 E-05
	H	0,13		P12	2,4 E-05
	I	0,08		P13	1,6 E-05
	J	0,05		P14	1,0 E-05
	K	0,03		P15	6,0 E-06
	L	0,02		P16	4,0 E-06
	M	0,01		P17	2,7 E-06
	N	0,006		P18	1,8 E-06

Size 1" 3/4" 1/2" 1/4"

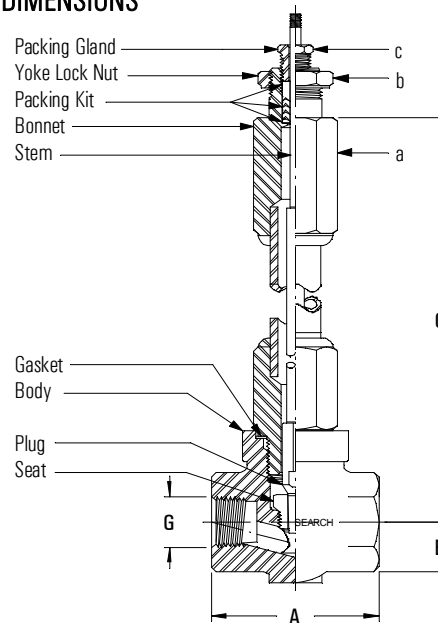
For detailed information, see [Data Sheet TRM](#)

You can find help for selection of innervalue, material combinations, guiding, bonnet and actuator in the "instruction for valve selection" and the Data Sheets TRM, resp. AC.

SEAT LEAKAGE

0.01% of Cvs for "O" and larger ANSI Class IV
 0.1% of Cvs for "P1" and smaller ANSI Class III
 Optional: Metallic or soft seated (PTFE or Kel-F).

DIMENSIONS



G	A	B	C	a	b	c	Lift
1"NPT	102	38	356	1-3/4"	1-1/8"	1/2"	14,3
3/4"NPT	86	30	356	1-1/2"	1-1/8"	1/2"	14,3
1/2"NPT	70	25	356	1-1/4"	1-1/8"	1/2"	14,3
1/4"NPT	54	17	356	7/8"	7/8"	7/16"	11.1

RCV_RC260_Datenblatt_0612_e.doc 06/12

Badger Meter Europa GmbH - Nürtinger Strasse 76 - 72639 Neuffen (Germany)

Tel. +49-7025-9208-0 Fax +49-7025-9208-15 www.badgermeter.de E-mail:badger@badgermeter.de

GUIDING

Standard as in picture 1.

BONNET

Standard as in picture 1. Other types available are for example:

Bellows sealed bonnet [Data Sheet BLW](#)

PACKING

Standard are PTFE chevron rings

For other type, see [Data Sheet PCK](#)

PNEUMATIC ACTUATOR

Die cast Aluminium with Epoxy paint, optional 316L S/S (Stainless Steel) but only for 1/2" valves.

Standard actuator "Spring to close" [Data Sheet AC-OS](#)

Standard actuator "Spring to open" [Data Sheet AC-CS](#)

With integrated pneumatic positioner:

Standard actuator "Spring to close" [Data Sheet AC-OP](#)

Standard actuator "Spring to open" [Data Sheet AC-CP](#)

Various accessories on request.

ELECTRIC ACTUATOR

Various special types available: explosion proof, Safety position " Spring to open " or " Spring to close ".

Electric [Data Sheet AC-HH500](#) [AC-M60WE](#)

Electronic [Data Sheet AC-EVA1](#) [AC-MC60](#)

VALVE MATERIALS

BODY	BONNET
1.4581 steel casting	1.4571 barstock
1.4571 forged	1.4571 barstock
316 SS steel casting	316 SS barstock
Monel casting	Monel barstock
Alloy-20 steel casting	Alloy20 barstock
Alloy-B casting	Alloy-B barstock
Alloy-C casting	Alloy-C barstock

For other materials, see type RC250 .

INNERVALVE MATERIALS

Size	Valve Plug	Valve Seat
V - 0	316 SS	316 SS
V - P18	Stellite	416 SS
V - P18	Stellite	316 SS stellite
A - 0	Tantalum	Tantalum
V - P5	Monel	Monel
V - P9	Alloy-20	Alloy-20
V - P9	Alloy-B	Alloy-B
V - P13	Alloy-C276	Alloy-C276
V - P13	Additional Titanium nitride coating	

Other materials available on request. Up to now over 140 materials and materials combinations have been used.

(316 SS ~ 1.4571).

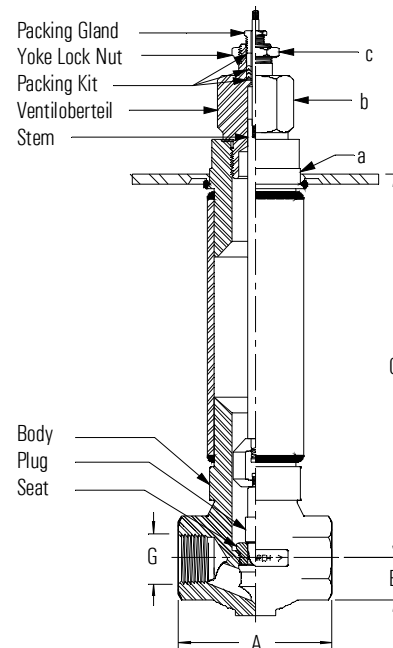
PRESSURE-TEMPERATURE RATING BODY

	°C	316 SS		°C	316 SS
1" CONTROL VALVE	-268	103	1/2" CONTROL VALVE	-268	172
	20	103		20	172
	100	103		100	163
	200	81		200	13
	300	46		300	119
	400	-		400	112
3/4" CONTROL VALVE	500	-	500	80	
	-268	103	1/4" CONTROL VALVE	-268	172
	20	103		20	172
	100	103		100	172
	200	81		200	144
	300	72		300	131
400	40	400		123	
500	-	500	60		

max. pressure in bar

The above pressure ratings alone are not sufficient to determine if a valve is suitable for an application.

COLD BOX VALVE



G	A	B	C	a	b	c	Hub
1"NPT	102	38	356	2-1/4"	1-1/8"	1/2"	14,3
1/2"NPT	70	25	356	1-1/2"	1-1/8"	1/2"	14,3

The innervale is replaceable after installation of the valve in the cold box.