



Badger Meter Europa

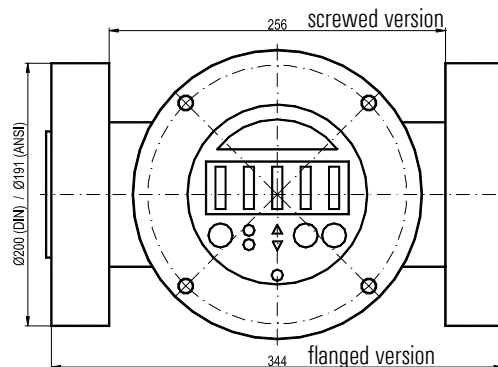
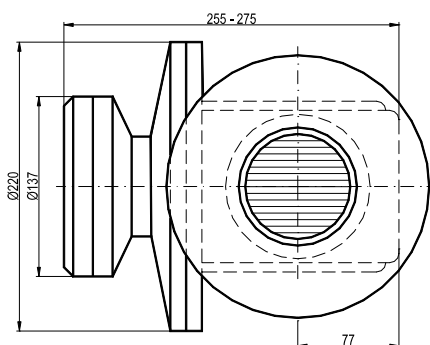
Oval gear meters Type MN80

for industrial fluids

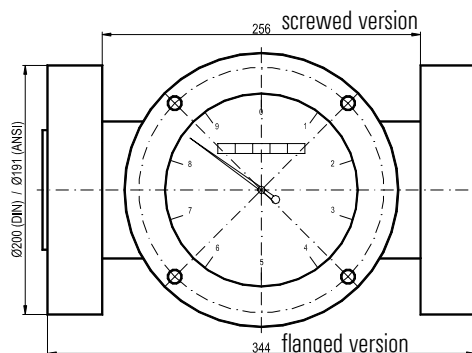
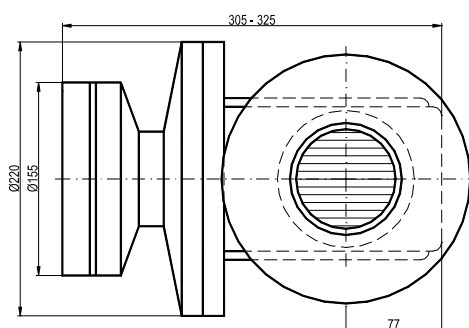
General

The volumetric meters of the MN-series are working on the oval gear measurement principle and are ideally suited for flow measurement of mechanically pure fluids within a large viscosity range.

Their simple design makes maintenance on site easy. Only two rotative parts are in contact with the fluid.



MN80 with deluxe display

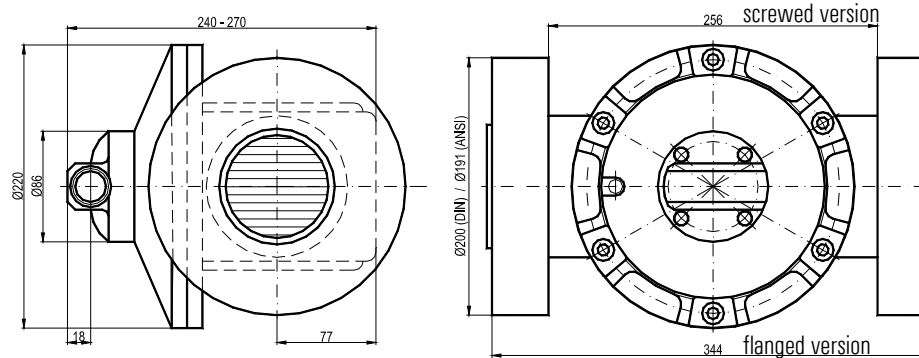
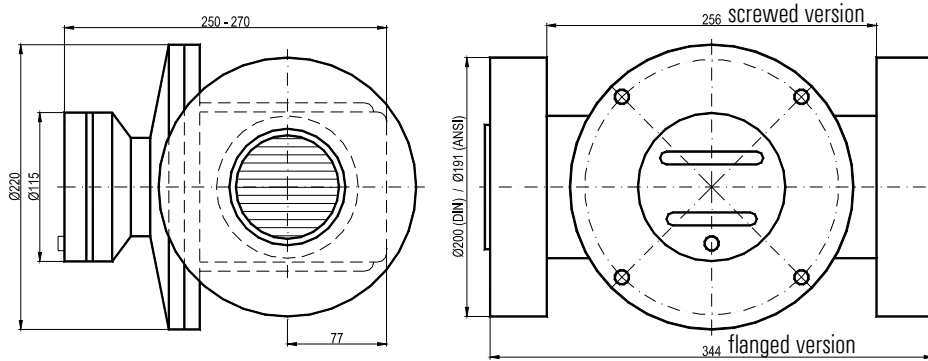


MN80 with mechanical display analog

IND_MN80_Datenblatt_0701_e.doc 07/01

Badger Meter Europa GmbH - Nürtinger Strasse 76 - 72639 Neuffen (Germany)
Tel. +49-7025-9208-0 Fax +49-7025-9208-15 www.badgermeter.de E-mail: badger@badgermeter.de

MN80 with mechanical display



MN80 with pulse transmitter

This model is available with in aluminium. Mechanical as well as electronic registers, ex-proof, can be mounted upon request. The maximum operating pressure for the type MN80 is 12 bars.

Technical data

Type	MN80		
Model	with pulse transmitter	with electronic display	with mechanical display
Size	DN 80		
Flow range	under 5 mPas: 1200 - 43980 l/h over 5 mPas: 3960 - 36960 l/h		
Accuracy	±0,5% of value		±1% of value
Repeatability	0,03%		
Max. viscosity	1000 mPas		
Max. pressure	12 bars	12 bars	12 bars
Max. temperature	80°C / 120°C		
Pulse rate	2.59 PPL	2.59 PPL	10 PPL
Pulse transmitter	Reedswitch		---
Recommended filter unit	0,1 mm		
Register	none	electronic	mechanical**
Process connections	3" BSP / NPT	DIN DN 80	ANSI 3"
Housing material	Aluminium		
Oval gear material	Aluminium		
Option	Pulse transmitter with hall effect sensor Standard LCD display EEx-i LCD		