



Badger Meter Europa

# Oval gear meters Type MN50

for industrial fluids

## General

The volumetric meters of the MN-series are working on the oval gear measurement principle and are ideally suited for flow measurement of mechanically pure fluids within a large viscosity range.

Their simple design makes maintenance on site easy. Only two rotative parts are in contact with the fluid.

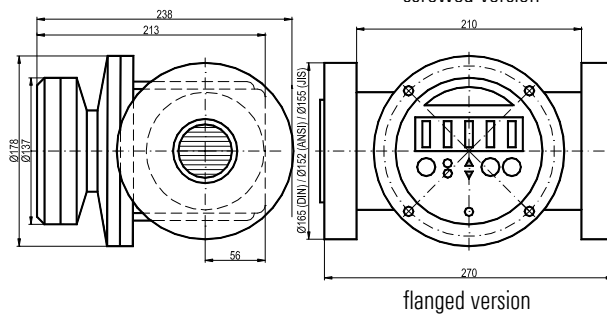


MN50 with pulse transmitter

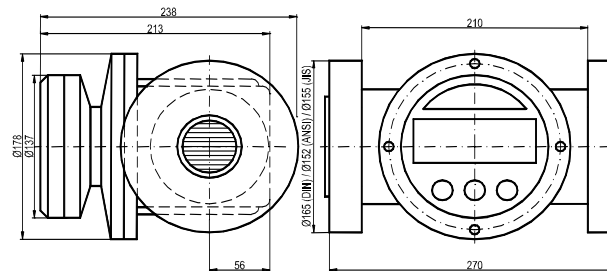


MN50 analogue

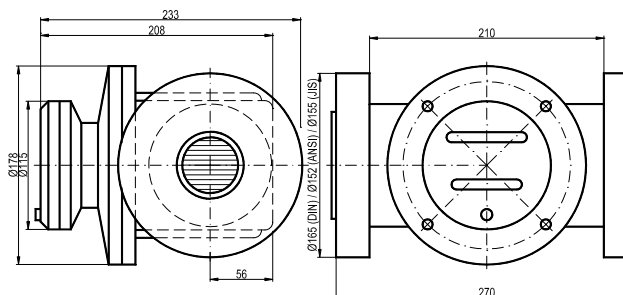
MN50 Deluxe LC display



MN50 LC display



MN50 mechanical display



MN50 EEx-i

IND\_MN50\_Datenblatt\_0701\_e.doc 07/01

Badger Meter Europa GmbH - Nürtinger Strasse 76 - 72639 Neuffen (Germany)

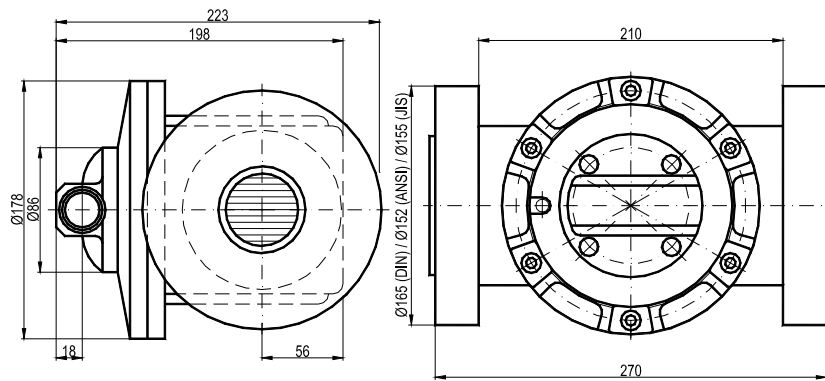
Tel. +49-7025-9208-0

Fax +49-7025-9208-15

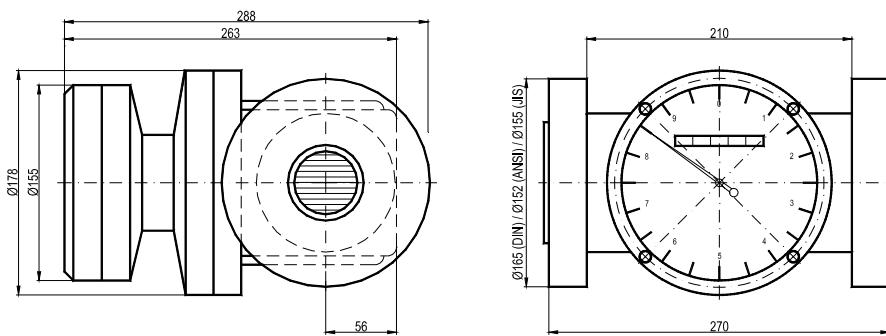
www.badgermeter.de

E-mail:badger@badgermeter.de

## MN50 pulse meter



## MN50 mechanical display analogue



This model is available with either aluminium, bronze or stainless steel housing. Mechanical as well as electronic registers, ex-proof, can be mounted upon request. The maximum operating pressure for the type MN50 is 16 bars.

## Technical data

Type	MN50		
Model	with pulse transmitter	with electronic display	with mechanical display
Size	DN 50		
Flow range	under 5 mPas: 1800 – 18000 l/h over 5 mPas: 900 – 21000 l/h		
Accuracy	±0,5% of value		±1% of value
Repeatability	0,03%		
Max. viscosity	1000 mPas*		
Max. pressure	18 bars	18 bars	18 bars
Max. temperature	80°C / 120°C		
Pulse rate	6,68 PPL		---
Pulse transmitter	Reedswitch		
Recommended filter unit	0,1 mm		
Register	none	electronic	mechanical**
Process connections	R2" / DN 50 / ANSI 2" / Triclamp		
Housing material	Alu/316 SS/Bronze		
Oval gear material	PPS/316 SS		
Option	Pulse transmitter / hall effect sensor Standard LCD display / Option with EEx-i Deluxe LCD preset meter / option with EEx-i		

\*With special oval gears up to 1.000.000 mPas

\*\*No pulse transmitter in connection with mechanical register (analogue version has pulse option)